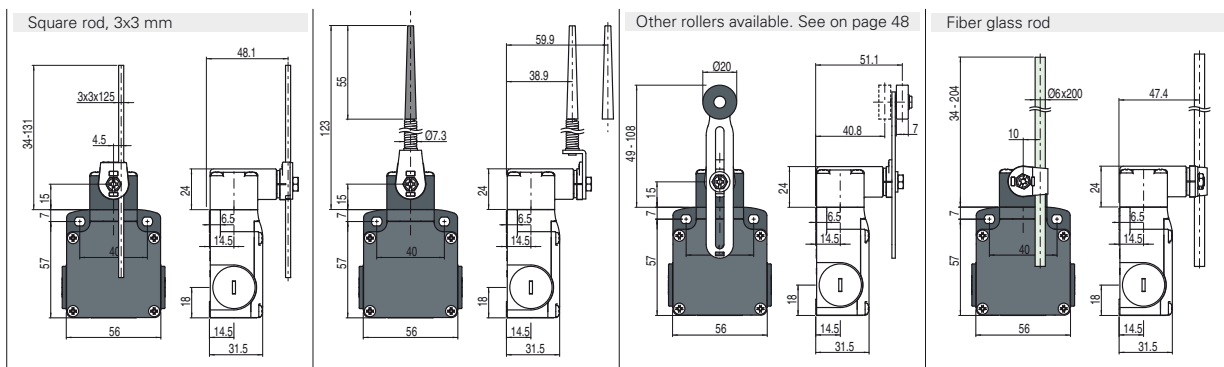
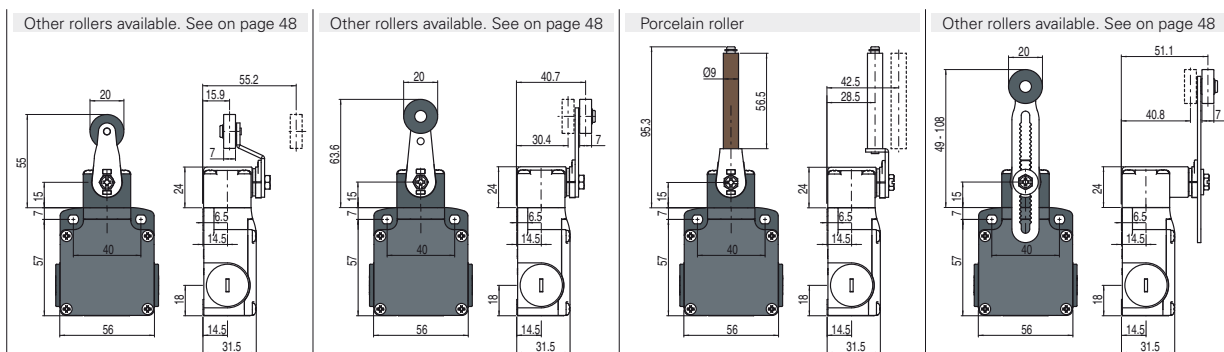


- Contact type:
- R** = snap action
 - L** = slow action
 - LO** = slow action overlapped
 - LS** = slow action shifted
 - LV** = slow action shifted and spaced
 - LI** = slow action independent
 - LA** = slow action closer
 - ⏏** = electronic PNP



Contact blocks	FL 533-M2	FL 534-M2	FL 535-M2	FL 536-M2
5	R FL 533-M2 1NO+1NC	FL 534-M2 1NO+1NC	FL 535-M2 (1) 1NO+1NC	FL 536-M2 1NO+1NC
6	L FL 633-M2 1NO+1NC	FL 634-M2 1NO+1NC	FL 635-M2 (1) 1NO+1NC	FL 636-M2 1NO+1NC
7	LO FL 733-M2 1NO+1NC	FL 734-M2 1NO+1NC	FL 735-M2 (1) 1NO+1NC	FL 736-M2 1NO+1NC
9	L FL 933-M2 2NC	FL 934-M2 2NC	FL 935-M2 (1) 2NC	FL 936-M2 2NC
10	L FL 1033-M2 2NO	FL 1034-M2 2NO	FL 1035-M2 2NO	FL 1036-M2 2NO
11	R FL 1133-M2 2NC	FL 1134-M2 2NC	FL 1135-M2 (1) 2NC	FL 1136-M2 2NC
12	R FL 1233-M2 2NO	FL 1234-M2 2NO	FL 1235-M2 2NO	FL 1236-M2 2NO
13	LV FL 1333-M2 2NC	FL 1334-M2 2NC	FL 1335-M2 (1) 2NC	FL 1336-M2 2NC
14	LS FL 1433-M2 2NC	FL 1434-M2 2NC	FL 1435-M2 (1) 2NC	FL 1436-M2 2NC
15	LS FL 1533-M2 2NO	FL 1534-M2 2NO	FL 1535-M2 2NO	FL 1536-M2 2NO
16	LI FL 1633-M2 2NC	FL 1634-M2 2NC	FL 1635-M2 (1) 2NC	FL 1636-M2 2NC
18	LA FL 1833-M2 1NO+1NC	FL 1834-M2 1NO+1NC	FL 1835-M2 (1) 1NO+1NC	FL 1836-M2 1NO+1NC
20	L FL 2033-M2 1NO+2NC	FL 2034-M2 1NO+2NC	FL 2035-M2 (1) 1NO+2NC	FL 2036-M2 1NO+2NC
21	L FL 2133-M2 3NC	FL 2134-M2 3NC	FL 2135-M2 (1) 3NC	FL 2136-M2 3NC
22	L FL 2233-M2 2NO+1NC	FL 2234-M2 2NO+1NC	FL 2235-M2 (1) 2NO+1NC	FL 2236-M2 2NO+1NC
2	R FL 233-M2 2x(1NO-1NC)	FL 234-M2 2x(1NO-1NC)	FL 235-M2 2x(1NO-1NC)	FL 236-M2 2x(1NO-1NC)
E1	⏏ FL E133-M2 1NO-1NC	FL E134-M2 1NO-1NC	FL E135-M2 1NO-1NC	FL E136-M2 1NO-1NC
Max. speed	1.5 m/s	1 m/s	page 237 - type 1	1.5 m/s
Min. force	0.1 Nm	0.1 Nm	0.1 Nm (0.25 Nm (1))	0.1 Nm
Travel diagrams	page 238 - group 4	page 238 - group 4	page 238 - group 4	page 238 - group 4



Contact blocks	FL 551-M2	FL 552-M2	FL 553-E11M2V9	FL 556-M2
5	R FL 551-M2 (1) 1NO+1NC	FL 552-M2 (1) 1NO+1NC	FL 553-E11M2V9 (1) 1NO+1NC	FL 556-M2 (1) 1NO+1NC
6	L FL 651-M2 (1) 1NO+1NC	FL 652-M2 (1) 1NO+1NC	FL 653-E11M2V9 (1) 1NO+1NC	FL 656-M2 (1) 1NO+1NC
7	LO FL 751-M2 (1) 1NO+1NC	FL 752-M2 (1) 1NO+1NC	FL 753-E11M2V9 (1) 1NO+1NC	FL 756-M2 (1) 1NO+1NC
9	L FL 951-M2 (1) 2NC	FL 952-M2 (1) 2NC	FL 953-E11M2V9 (1) 2NC	FL 956-M2 (1) 2NC
10	L FL 1051-M2 2NO	FL 1052-M2 2NO	FL 1053-E11M2V9 2NO	FL 1056-M2 2NO
11	R FL 1151-M2 (1) 2NC	FL 1152-M2 (1) 2NC	FL 1153-E11M2V9 2NO	FL 1156-M2 (1) 2NC
12	R FL 1251-M2 2NO	FL 1252-M2 2NO	FL 1253-E11M2V9 2NO	FL 1256-M2 2NO
13	LV FL 1351-M2 (1) 2NC	FL 1352-M2 (1) 2NC	FL 1353-E11M2V9 (1) 2NC	FL 1356-M2 (1) 2NC
14	LS FL 1451-M2 (1) 2NC	FL 1452-M2 (1) 2NC	FL 1453-E11M2V9 (1) 2NC	FL 1456-M2 (1) 2NC
15	LS FL 1551-M2 2NO	FL 1552-M2 2NO	FL 1553-E11M2V9 2NO	FL 1556-M2 2NO
16	LI FL 1651-M2 2NC	FL 1652-M2 2NC	FL 1653-E11M2V9 2NO	FL 1656-M2 (1) 2NC
18	LA FL 1851-M2 (1) 1NO+1NC	FL 1852-M2 (1) 1NO+1NC	FL 1853-E11M2V9 (1) 1NO+1NC	FL 1856-M2 (1) 1NO+1NC
20	L FL 2051-M2 (1) 1NO+2NC	FL 2052-M2 (1) 1NO+2NC	FL 2053-E11M2V9 (1) 1NO+2NC	FL 2056-M2 (1) 1NO+2NC
21	L FL 2151-M2 (1) 3NC	FL 2152-M2 (1) 3NC	FL 2153-E11M2V9 (1) 3NC	FL 2156-M2 (1) 3NC
22	L FL 2251-M2 (1) 2NO+1NC	FL 2252-M2 (1) 2NO+1NC	FL 2253-E11M2V9 (1) 2NO+1NC	FL 2256-M2 (1) 2NO+1NC
2	R FL 251-M2 2x(1NO-1NC)	FL 252-M2 2x(1NO-1NC)	FL 253-E11M2 2x(1NO-1NC)	FL 256-M2 2x(1NO-1NC)
E1	⏏ FL E151-M2 1NO-1NC	FL E152-M2 1NO-1NC	FL E153-E11M2V9 1NO-1NC	FL E156-M2 1NO-1NC
Max. speed	page 237 - type 1	page 237 - type 1	0.5 m/s	page 237 - type 1
Min. force	0.06 Nm (0.25 Nm (1))	0.06 Nm (0.25 Nm (1))	0.03 Nm (0.25 Nm (1))	0.1 Nm (0.25 Nm (1))
Travel diagrams	page 238 - group 4	page 238 - group 4	page 238 - group 5	page 238 - group 4

(1) Positive opening only with actuator set to max. See page 47.

All measures in the drawings are in mm

Items with code on **green** background are stock items

Accessories See page 225